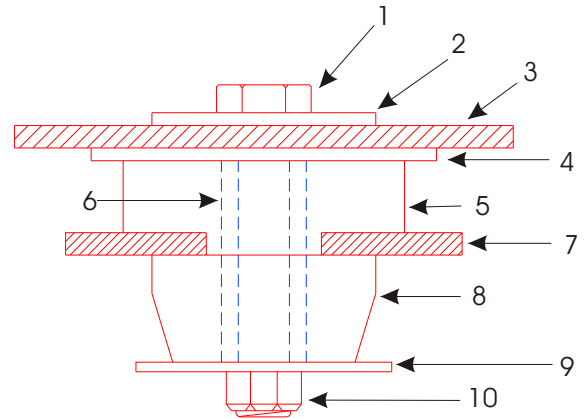


Installation Instructions for Set #4-4101



1131 VIA CALLEJON, SAN CLEMENTE, CA 92673

1. First and second positions use 3" long bolts. Positions three and four use 4" long bolts.
2. 1-1/8" O.D. Washers (8) go under head of each bolt for more contact area on sheet metal.
3. Body sheet metal.
4. 2-1/2" O.D. Washers (8) go on top of upper grommet under body panel.
5. Top body mount grommet part #4025 (8)
6. 1-1/2" long sleeve (*all eight are the same*)
7. Frame rails.
8. Bottom conical grommet part #4026.
9. 2" O.D. Washers (8).
10. Nylon insert lock nut (8).



NOTE: Body mount set #4-4101 can be used with original hardware but usually needs to be replaced because of corrosion. Hardware set #4-4106 is suggested for heavy duty use.

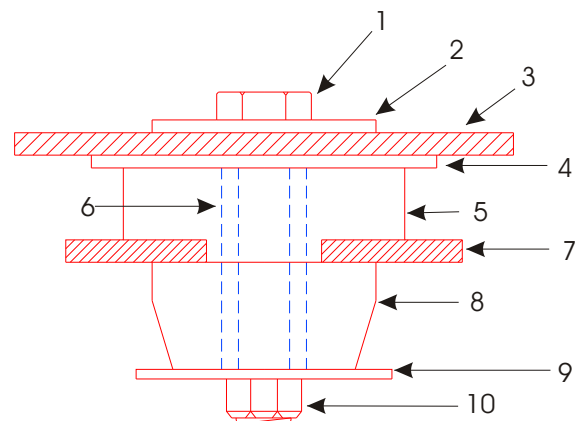
©2001 Energy Suspension. All rights reserved
May not be reproduced, in any form, or by any means,
without the written consent of Energy Suspension.

Installation Instructions for Set #4-4101



1131 VIA CALLEJON, SAN CLEMENTE, CA 92673

1. First and second positions use 3" long bolts. Positions three and four use 4" long bolts.
2. 1-1/8" O.D. Washers (8) go under head of each bolt for more contact area on sheet metal.
3. Body sheet metal.
4. 2-1/2" O.D. Washers (8) go on top of upper grommet under body panel.
5. Top body mount grommet part #4025 (8)
6. 1-1/2" long sleeve (*all eight are the same*)
7. Frame rails.
8. Bottom conical grommet part #4026.
9. 2" O.D. Washers (8).
10. Nylon insert lock nut (8).



NOTE: Body mount set #4-4101 can be used with original hardware but usually needs to be replaced because of corrosion. Hardware set #4-4106 is suggested for heavy duty use.

© 2001 Energy Suspension. All rights reserved
May not be reproduced, in any form, or by any means,
without the written consent of Energy Suspension.

17030
4-26-01
NS

17030
4-26-01
NS