



D5509 Installation Instructions 1994-2002 Dodge 2500/3500 4wd Brake Proportioning Valve Bracket

Read and understand all instructions and warnings prior to installation of product and operation of vehicle.

Zone Offroad Products recommends this system be installed by a professional technician. In addition to these instructions, professional knowledge of disassembly/ reassembly procedures and post installation checks must be known. Minimum tool requirements include the following: Assorted metric and standard wrenches, hammer, hydraulic floor jack and a set of jack stands. See the "Special Tools Required" section for additional tools needed to complete this installation properly and safely.

» PRODUCT SAFETY WARNING

Certain Zone Suspension Products are intended to improve off-road performance. Modifying your vehicle for off-road use may result in the vehicle handling differently than a factory equipped vehicle. Extreme care must be used to prevent loss of control or vehicle rollover. Failure to drive your modified vehicle safely may result in serious injury or death. Zone Offroad Products does not recommend the combined use of suspension lifts, body lifts, or other lifting devices.

You should never operate your modified vehicle under the influence of alcohol or drugs. Always drive your modified vehicle at reduced speeds to ensure your ability to control your vehicle under all driving conditions. Always wear your seat belt.

» TECHNICAL SUPPORT

Live Chat provides instant communication with Zone tech support. Anyone can access live chat through a link on www.zoneoffroad.com.

www.zoneoffroad.com may have additional information about this product including the latest instructions, videos, photos, etc.

Send an e-mail to tech-zone@sporttruckusainc.com detailing your issue for a quick response.

888.998.ZONE Call to speak directly with Zone tech support.

Difficulty Level

Easy 1 2 3 4 5 Difficult

Estimated installation: 1/2 hour

» PRE-INSTALLATION NOTES

1. Special literature required: OE Service Manual for model/year of vehicle. Refer to manual for proper disassembly/reassembly procedures of OE and related components.
2. Adhere to recommendations when replacement fasteners, retainers and keepers are called out in the OE manual.
3. Larger rim and tire combinations may increase leverage on suspension, steering, and related components. When selecting combinations larger than OE, consider the additional stress you could be inducing on the OE and related components.
4. Post suspension system vehicles may experience drive line vibrations. Angles may require tuning, slider on shaft may require replacement, shafts may need to be lengthened or trued, and U-joints may need to be replaced.
5. Secure and properly block vehicle prior to installation of Zone Offroad Products. Always wear safety glasses when using power tools.
6. If installation is to be performed without a hoist, Zone Offroad Products recommends rear alterations first.
7. Due to payload options and initial ride height variances, the amount of lift is a base figure. Final ride height dimensions may vary in accordance to original vehicle attitude. Always measure the attitude prior to beginning installation.

rev050516

Kit Contents

Qty	Part		
1	Proportioning Valve Bracket	2	7/16"-14 x 1 1/4" bolt grade 5 clear zinc
1	Bolt Packs	2	7/16"-14 prevailing torque nut clear zinc
		4	7/16" SAE washer clear zinc

INSTALLATION INSTRUCTIONS

1. Park vehicle on clean flat surface. Block rear wheels for safety.
2. Remove the linkage from the stud on the axle bracket. After the linkage is removed, disconnect the stud from the axle bracket. **Figure 1 & 2**

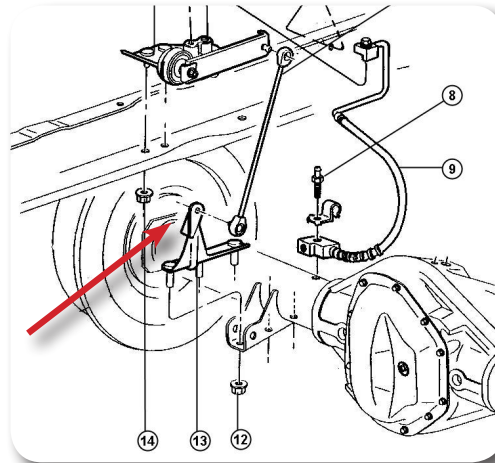


Figure 1



Figure 2

3. Remove the 3 nuts that retain the lower brake proportioning valve bracket to the axle and remove the lower bracket.
4. Replace the lower bracket with the new provided bracket and attach with the provided 7/16" hardware.
5. Torque bolts to 45 ft-lbs.
6. Reinstall the stud onto the new bracket in the small hole in the bracket. Reattach the linkage to the stud.
7. Recheck fasteners after 500 miles and at regularly scheduled maintenance intervals.